

Conical Mounts

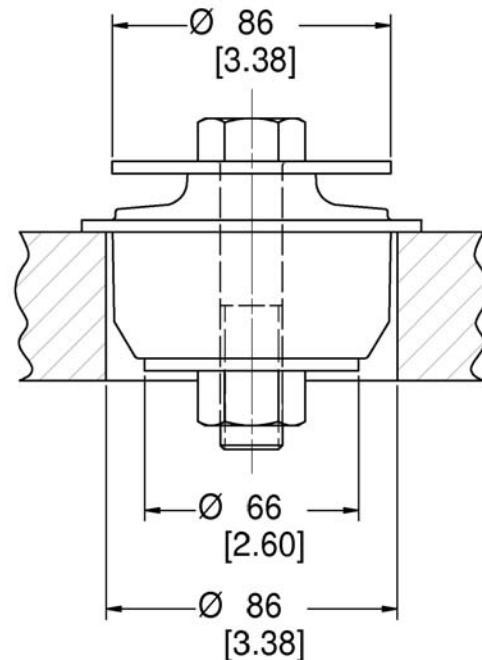
LORD Conical mounts provide effective vibration isolation and noise attenuation with a simple, robust mount design. Consistent performance, high load bearing capabilities and a choice of radial stiffness characteristics are key features of these mounts. For more demanding vibration and noise reduction requirements, LORD integrates Conical Mounts with surface-effect technology to form an advanced control solution known as Surface-Effect Systems.

Conical Mounts are appropriate for both on-road and off-road vehicles. Applications include cab mounts and engine and transmission mounts for trucks and buses, and construction and agricultural vehicles.

Features and Benefits

- Provide strong, dependable performance
- Have a typical static deflection of 5 mm
- Offer a choice of radial stiffnesses
- Can be snubbed
- Can be safetied with the use of snubbing washers
- Withstand R.O.P.S. loads with the addition of support rings
- Are easily installed
- Exhibit long, highly reliable service life

Figure 1



Specifications and Dimensions

Part Number	Durometer Shore A	Rated Axial Static Load kN (lb)	Rated Axial Static Deflection kN (lb)	Axial Static Stiffness N/mm (lb/in)	Axial Dynamic Stiffness ① N/mm (lb/in)	Radial R1 Static Stiffness N/mm (lb/in)	Radial R2 Static Stiffness N/mm (lb/in)	Recommended Bolt Information*			
								Size		Grade or Class	
								English	Metric	SAE J429	SAE J1199
J-21100-9	35	1.67 (375)	5.0 (0.20)	210 (1200)	215 (1230)	800 (4570)	800 (4570)	3/4	M20	**	**
J-21100-1	40	2.4 (540)	5.0 (0.20)	310 (1770)	340 (1945)	1200 (6855)	1200 (6855)	3/4	M20	**	**
J-21100-4	45	2.7 (607)	5.0 (0.20)	400 (2285)	470 (2690)	1600 (9140)	1600 (9140)	3/4	M20	**	**
J-21100-5	50	3.9 (880)	5.0 (0.20)	500 (2860)	600 (3430)	2000 (11420)	2000 (11420)	3/4	M20	**	**
J-21100-10	55	4.6 (1040)	5.0 (0.20)	590 (3370)	725 (4140)	2400 (13700)	2400 (13700)	3/4	M20	**	**
J-21100-11	60	5.3 (1200)	5.0 (0.20)	690 (3950)	850 (4855)	2800 (16000)	2800 (16000)	3/4	M20	**	**
J-21102-1	40	1.3 (300)	5.0 (0.20)	190 (1085)	210 (1200)	960 (5485)	960 (5485)	3/4	M20	**	**
J-21103-1	40	1.1 (250)	5.0 (0.20)	150 (860)	160 (915)	850 (4855)	400 (2285)	3/4	M20	**	**
J-21104-1	40	0.82 (185)	5.0 (0.20)	110 (630)	120 (685)	600 (3430)	300 (1720)	3/4	M20	**	**
J-21159-3	46	5.3 (1200)	7.6 (0.30)	668 (3812)	823 (4700) ②	2270 (12970)	2270 (12970)	7/8	M20	8	10.9
J-21159-4	58	8.9 (2000)	7.6 (0.30)	983 (5613)	2030 (11600) ②	3877 (22140)	3877 (22140)	7/8	M20	8	10.9
J-21159-6	45	5.16 (1160)	7.6 (0.30)	645 (3680)	780 (4470)	2150 (12300)	2150 (12300)	7/8	M20	8	10.9
J-21159-7	50	6.23 (1400)	7.6 (0.30)	740 (4230)	990 (5655)	2645 (15100)	2645 (15100)	7/8	M20	8	10.9
J-21159-8	55	7.43 (1670)	7.6 (0.30)	845 (4822)	1345 (7685)	3170 (18110)	3170 (18110)	7/8	M20	8	10.9
J-21159-9	66	11.39 (2560)	7.6 (0.30)	1195 (6820)	3545 (20250)	4955 (28300)	4955 (28300)	7/8	M20	8	10.9
J-21212-1 ③	61	1.05 (240)	3.6 (0.14)	207 (1180)	254 (1450)	462 (2640)	462 (2640)	3/8	M10	2	5.8
J-21212-3	58	0.80 (180)	3.6 (0.14)	182 (1040)	222 (1270)	387 (2210)	387 (2210)	3/8	M10	2	5.8

* For tightening torque information, refer to Tightening Torque Charts section.

** Tightening torque 3/4 bolt = 320 lb-ft; M20 bolt = 430 N-m dry.

① Data at Axial Rated Static Load, with input +0.3 mm (0.01 in) at 5.0 Hz.

② Data at Axial Load and Dynamic Axial Motion of ±0.5 mm.

③ Other parts available in this series, contact LORD.

Figure 1 – J-21100 Series

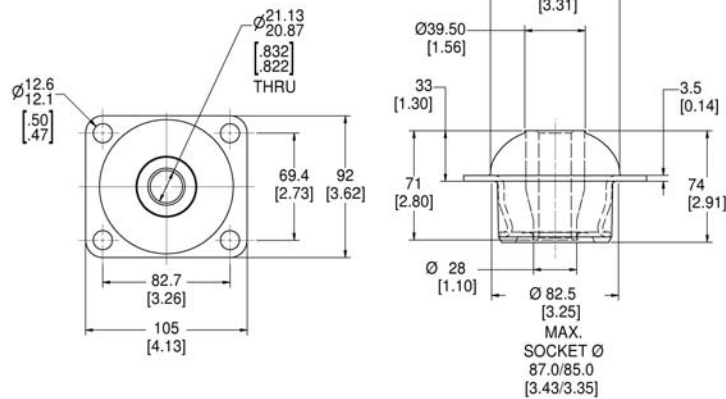
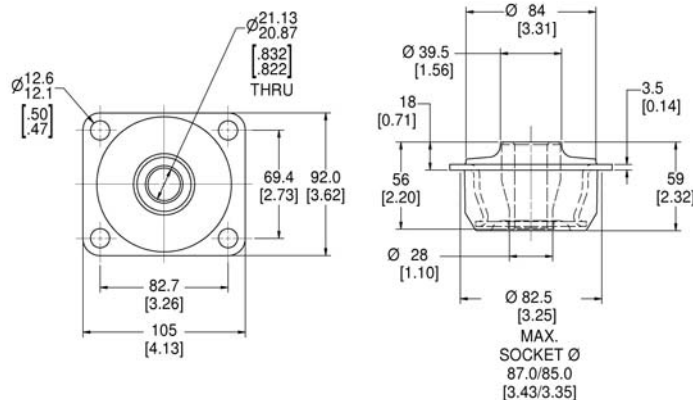


Figure 2 – J-21102-1



A part's listing in this catalog does not guarantee its availability.

To download/print the most current catalog, go to www.lordfulfillment.com/upload/PC7000.pdf.

Figure 3 – J-21103-1

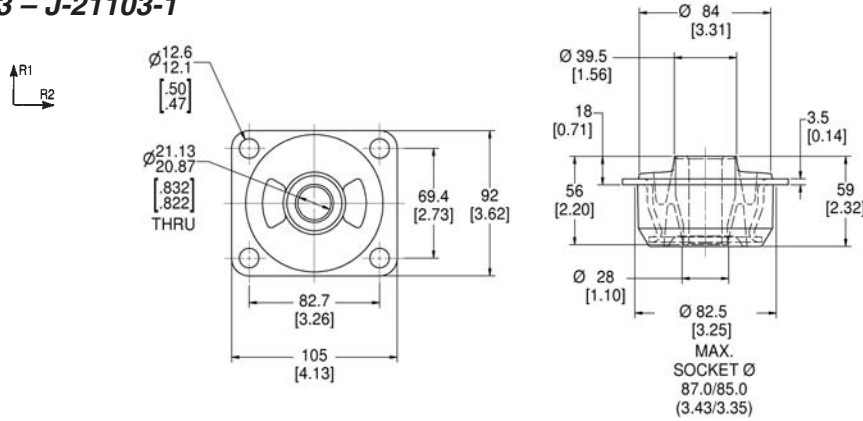


Figure 4 – J-21104-1

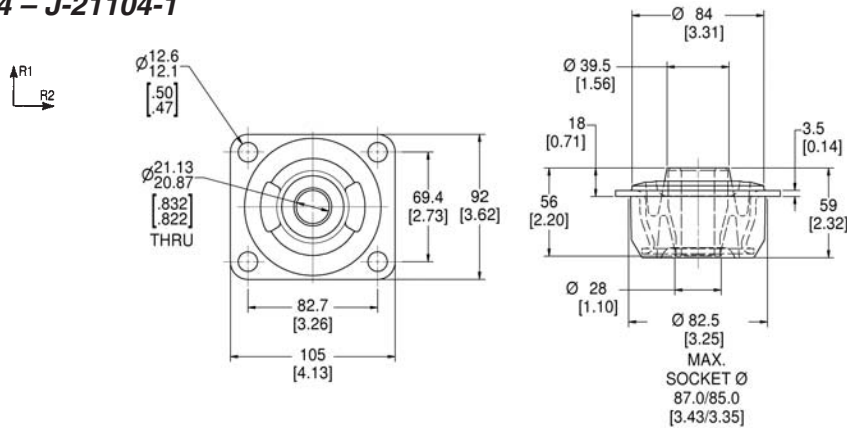


Figure 5 – J-21159 Series

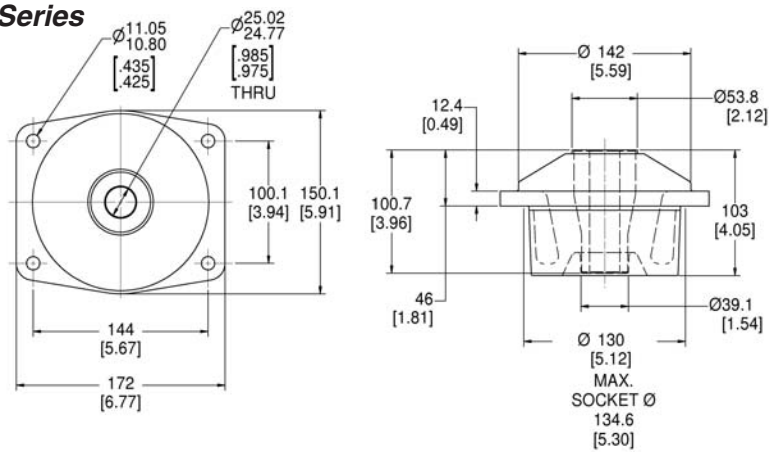


Figure 6 – J-21212 Series

