

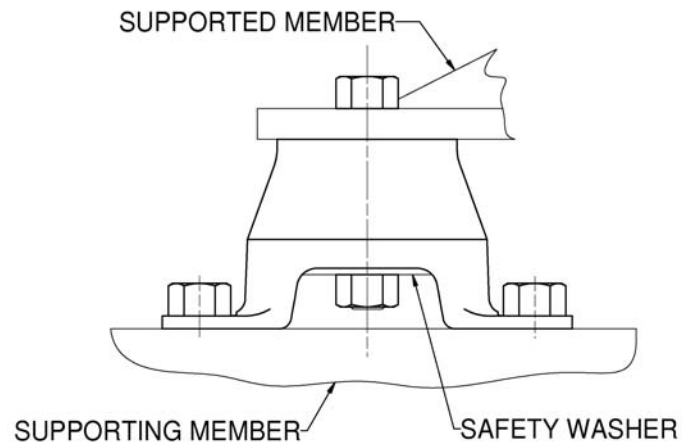
Small Industrial Engine Mounts

LORD Small Industrial Engine Mounts J-20922 Series are especially designed for mounting 2-, 3- and 4-cylinder gas or diesel engines in various types of vehicles and equipment.

Features and Benefits

- Moderately soft vertical stiffness
- Soft lateral and fore/aft stiffness
- Snubbed to limit travel in all directions
- Inter-locked metals (when assembled with washer) provide safety restraint
- Well-suited for low mounting locations
- 120-300 lb load ratings

Figure 1



J-20922 Series

Table 1 – Load Data

Part Number	Max. Axial Rated Load @ 0.1 in (2.5 mm) Deflection		Axial Spring Rates		Lateral Spring Rates	
	lb	N	lb/in	N/mm	lb/in	mm
J-20922-21	120	534	1200	210	200	35
J-20922-22	140	623	1400	245	250	44
J-20922-23	170	756	1700	300	300	53
J-20922-24	210	934	2100	370	360	63
J-20922-25	250	1112	2500	440	420	74
J-20922-26	300	1334	3000	550	500	90

Note: Washer part number is J-2049-3. Elastomer is natural rubber.

Figure 2 – Dimensions

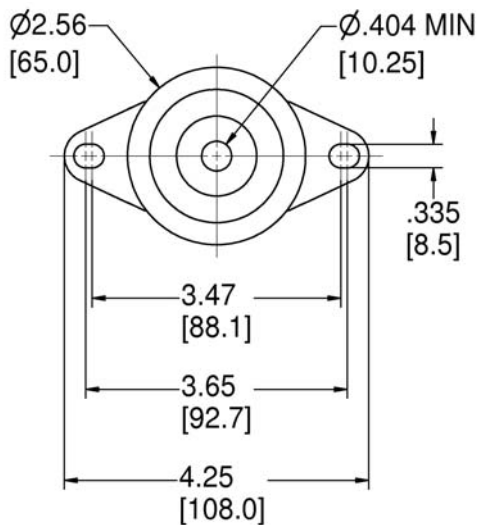


Figure 3 – Dimensions

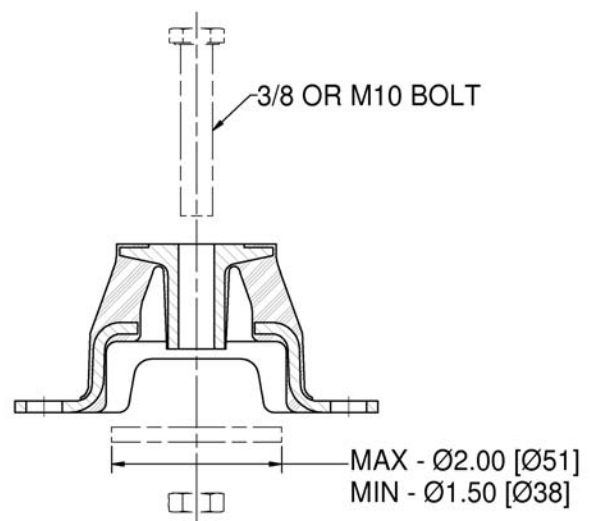
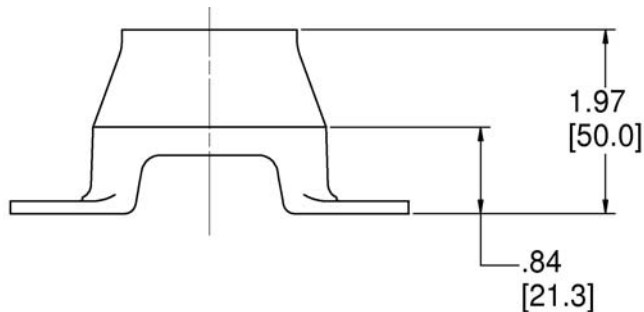


Figure 4 – Dimensions



Washer, nut and bolt not supplied with mount.