



RUBBER PARTS CATALOG®.com

CONICAL MOUNTS

VIBRATION, SHOCK & MOTION CONTROL

SOLUTIONS - FOR A WORLD IN MOTION

We offer standardized products to meet most applications. Some control problems, however, require specialized solutions such as a custom-designed mount or a combination of LORD products. Our experts in vibration and noise control can analyze your individual requirements and provide you the most effective and affordable solution ... Ask Us How.

SURFACE EFFECT MOUNTS



Surface-Effect Mounts combine surface-effect damping principles with traditional rubber-bonded-to-metal technology. The result is a soft mount capable of providing effective damping over large deflections and a wide range of frequencies. As cab and engine mounts in on- and off-highway vehicles, Surface-Effect Mounts meet the most demanding requirements for vibration isolation and noise attenuation while controlling motion.

Compression Load Range: 3,115 - 6,987 N (700 - 1,570 lbs)

CONICAL MOUNTS



LORD Conical Mounts provide effective vibration isolation and noise attenuation with a simple, robust mount design. Consistent performance, high load bearing capabilities and a choice of radial stiffness characteristics are key features of these mounts. For more demanding vibration and noise reduction requirements, LORD integrates Conical Mounts with surface-effect technology to form an advanced control solution known as Surface-Effect Systems.

Compression Load Range: 801 - 11,392 N (180 - 2,560 lbs)

SANDWICH MOUNTS - FLEX-BOLT™



Efficient power transmission and driveline component durability are among powertrains designers' most important concerns. Increased durability and up-time are two characteristics demanded by purchasers of today's complex and expensive machinery. These demands can only be met with reliable, trouble-free, smooth-running powertrains free from damaging loads that compromise component life.

Compression Load Range: 27 - 59,808 N (6 - 13,440 lbs)

Shear Load Range: 4.45 - 7,476 N (1 - 1,680 lbs)

CENTER-BONDED MOUNTS



LORD Center-Bonded Mounts isolate vibration, control shock and reduce noise due to structure borne vibrations. Available in a full range of rated load capacities and able to withstand shock loads of 10 g's, these mounts effectively protect equipment and improve operator comfort. They are ideal for automotive, marine, railroad and industrial markets.

Compression Load Range: 334 - 9,345 N (75 - 2,100 lbs)

TWO-PIECE MOUNTS



LORD Two-Piece Mounts are designed for applications involving severe dynamic forces in the static load direction, as well as the rebound direction. Travel is limited in both directions by rubber in compression that provides snubbing.

Compression Load Range: 178 - 15,352 N (40 - 3,450 lbs)

BINOCULAR/SPLIT MOUNTS



LORD Binocular/Split Mounts are designed for applications involving severe dynamic forces in the static load direction, as well as the rebound direction. Travel is limited in both directions by rubber in compression that provides snubbing.

Compression Load Range: 4,450 - 6,675 N (1,000 - 1,500 lbs)

PLATFORM MOUNTS



LORD Platform Mounts provide effective isolation against vibration. The contour of the flexing element was developed to provide uniform stress distribution. This, plus high strength bonding and the use of specially compounded elastomers, provides maximum service life.

Compression Load Range: 2 N - 2,225 N (0.5 - 500 lbs)

GROMMET ISOLATORS



LORD Grommet Isolators provide effective, economical vibration isolation for light loads. They are suitable for commercial and military applications including computers, disk drives, business machines, precision instrumentation and general industrial equipment.

Compression Load Range: 4 - 27 N (1 - 6 lbs)

MACHINERY MOUNTS



LORD Machinery Mounts are designed to support heavy equipment and isolate intermittent or continuous vibration. The result is greater machine accuracy, longer service life, smoother operation and reduced maintenance. These mounts are available in four types to suit different needs.

Compression Load Range: 223 - 33,375 N (50 - 7,500 lbs)

BUSHINGS



LORD Center-Bonded Bushings and Square-Bonded Bushings are used in applications where the absorption shock, attenuation of noise, reduction of wear and elimination of lubrication is required.

Compression Load Range: 890 - 41,385 N (200 - 9,300 lbs)



CONICAL MOUNTS

VIBRATION, SHOCK & MOTION CONTROL



“Effective vibration isolation and noise attenuation with a simple, robust mount design...”



RUBBERPARTSCATALOG.COM

Conical Mounts

LORD Conical mounts provide effective vibration isolation and noise attenuation with a simple, robust mount design. Consistent performance, high load bearing capabilities and a choice of radial stiffness characteristics are key features of these mounts. For more demanding vibration and noise reduction requirements, LORD integrates Conical Mounts with surface-effect technology to form an advanced control solution known as Surface-Effect Systems.

Conical Mounts are appropriate for both on-road and off-road vehicles. Applications include cab mounts and engine and transmission mounts for trucks and buses, and construction and agricultural vehicles.

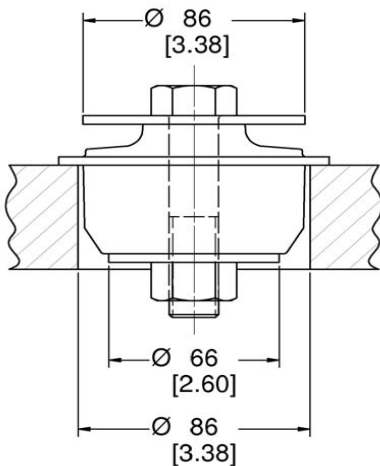
CONICAL MOUNTS



VIBRATION, SHOCK & MOTION CONTROL

DELTA FLEX.com

Figure 1



Features and Benefits

- Provide strong, dependable performance
- Have a typical static deflection of 5 mm
- Offer a choice of radial stiffnesses
- Can be snubbed
- Can be safetied with the use of snubbing washers
- Withstand R.O.P.S. loads with the addition of support rings
- Are easily installed
- Exhibit long, highly reliable service life

CONICAL MOUNTS

Need assistance with selecting the right mount for your application?

CALL US @ 800.657.0747
Ask for **Engineering**

Need pricing or current inventory?

CALL US @ 800.657.0747
Ask for **Quoting**

Offering thousands of **standard** industrial rubber products and **innovative** “low” and “high” tech **custom** elastomeric products.

DELTA FLEX.com

Phone 262.632.2345

Fax 262.632.0271

sales@deltaflex.com

DeltaFlex, RubberPartsCatalog, df Logo and its combinations are Registered Trade Marks of Delta Flexible Products, Inc. LORD and “Ask Us How” are Registered Trade Marks of LORD Corporation or one of its subsidiaries. Copyright © 2012 Delta Flexible Products, Inc. All Right Reserved

A part’s listing in this catalog does not guarantee its availability.

CONICAL MOUNTS



VIBRATION ISOLATION & NOISE ATTENUATION

LORD
AskUsHow™

Specifications and Dimensions

Part Number	Durometer Shore A	Rated Axial Static Load kN (lb)	Rated Axial Static Deflection kN (lb)	Axial Static Stiffness N/mm (lb/in)	Axial Dynamic Stiffness ① N/mm (lb/in)	Radial R1 Static Stiffness N/mm (lb/in)	Radial R2 Static Stiffness N/mm (lb/in)	Recommended Bolt Information*			
								Size		Grade or Class	
								English	Metric	SAE J429	SAE J1199
J-21100-9	35	1.67 (375)	5.0 (0.20)	210 (1200)	215 (1230)	800 (4570)	800 (4570)	3/4	M20	**	**
J-21100-1	40	2.4 (540)	5.0 (0.20)	310 (1770)	340 (1945)	1200 (6855)	1200 (6855)	3/4	M20	**	**
J-21100-4	45	2.7 (607)	5.0 (0.20)	400 (2285)	470 (2690)	1600 (9140)	1600 (9140)	3/4	M20	**	**
J-21100-5	50	3.9 (880)	5.0 (0.20)	500 (2860)	600 (3430)	2000 (11420)	2000 (11420)	3/4	M20	**	**
J-21100-10	55	4.6 (1040)	5.0 (0.20)	590 (3370)	725 (4140)	2400 (13700)	2400 (13700)	3/4	M20	**	**
J-21100-11	60	5.3 (1200)	5.0 (0.20)	690 (3950)	850 (4855)	2800 (16000)	2800 (16000)	3/4	M20	**	**
J-21102-1	40	1.3 (300)	5.0 (0.20)	190 (1085)	210 (1200)	960 (5485)	960 (5485)	3/4	M20	**	**
J-21103-1	40	1.1 (250)	5.0 (0.20)	150 (860)	160 (915)	850 (4855)	400 (2285)	3/4	M20	**	**
J-21104-1	40	0.82 (185)	5.0 (0.20)	110 (630)	120 (685)	600 (3430)	300 (1720)	3/4	M20	**	**
J-21159-3	46	5.3 (1200)	7.6 (0.30)	668 (3812)	823 (4700) ②	2270 (12970)	2270 (12970)	7/8	M20	8	10.9
J-21159-4	58	8.9 (2000)	7.6 (0.30)	983 (5613)	2030 (11600) ②	3877 (22140)	3877 (22140)	7/8	M20	8	10.9
J-21159-6	45	5.16 (1160)	7.6 (0.30)	645 (3680)	780 (4470)	2150 (12300)	2150 (12300)	7/8	M20	8	10.9
J-21159-7	50	6.23 (1400)	7.6 (0.30)	740 (4230)	990 (5655)	2645 (15100)	2645 (15100)	7/8	M20	8	10.9
J-21159-8	55	7.43 (1670)	7.6 (0.30)	845 (4822)	1345 (7685)	3170 (18110)	3170 (18110)	7/8	M20	8	10.9
J-21159-9	66	11.39 (2560)	7.6 (0.30)	1195 (6820)	3545 (20250)	4955 (28300)	4955 (28300)	7/8	M20	8	10.9
J-21212-1 ③	61	1.05 (240)	3.6 (0.14)	207 (1180)	254 (1450)	462 (2640)	462 (2640)	3/8	M10	2	5.8
J-21212-3	58	0.80 (180)	3.6 (0.14)	182 (1040)	222 (1270)	387 (2210)	387 (2210)	3/8	M10	2	5.8

* For tightening torque information, refer to Tightening Torque Charts section.

** Tightening torque 3/4 bolt = 320 lb-ft; M20 bolt = 430 N-m dry.

① Data at Axial Rated Static Load, with input +0.3 mm (0.01 in) at 5.0 Hz.

② Data at Axial Load and Dynamic Axial Motion of ±0.5 mm.

③ Other parts available in this series, contact LORD.

Figure 1 – J-21100 Series

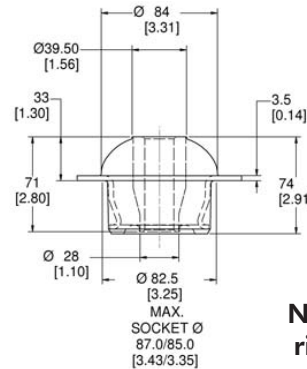
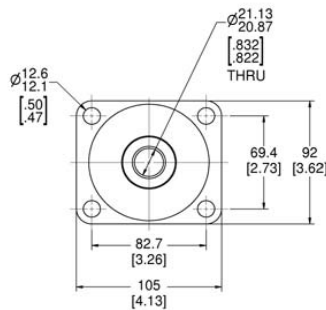
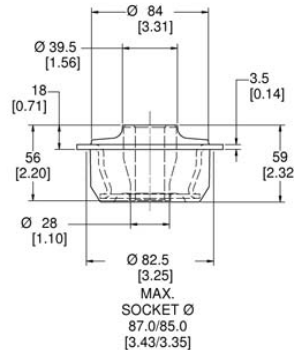
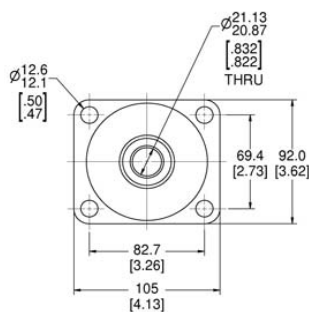


Figure 2 – J-21102-1



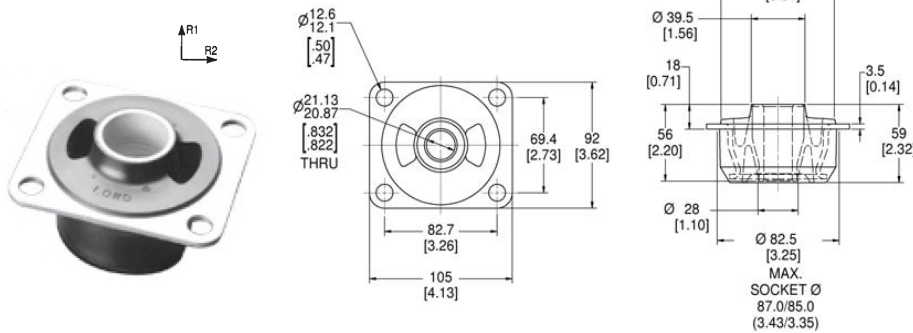
Need assistance with selecting the right mount for your application?

CALL US @ 800.657.0747
Ask for Engineering

Offering thousands of **standard** industrial rubber products and **innovative** "low" and "high" tech **custom** elastomeric products.

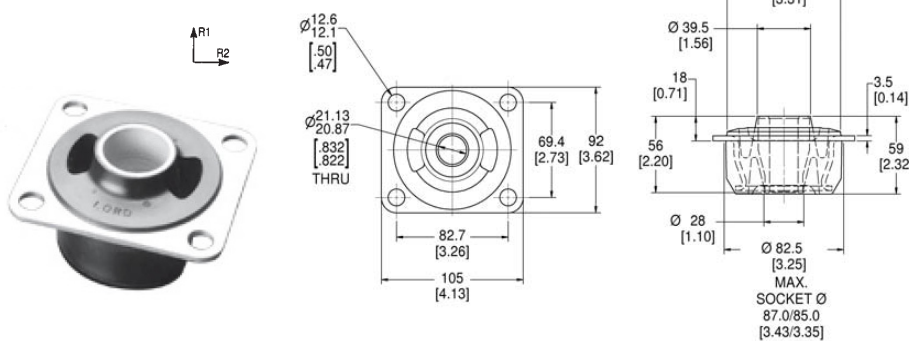
CONICAL MOUNTS

Figure 3 – J-21103-1



Need pricing or current inventory?

Figure 4 – J-21104-1



CALL US @ 800.657.0747
Ask for Quoting

Figure 5 – J-21159 Series

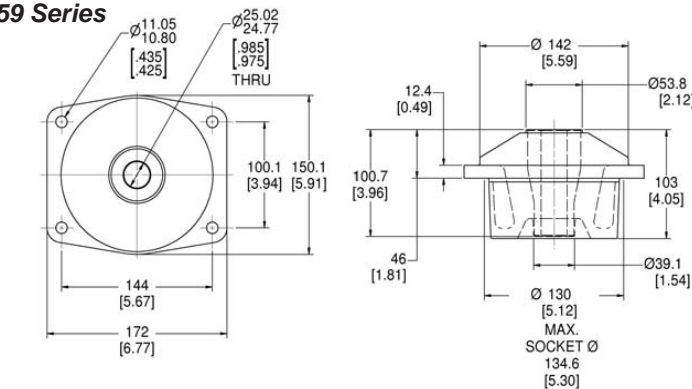
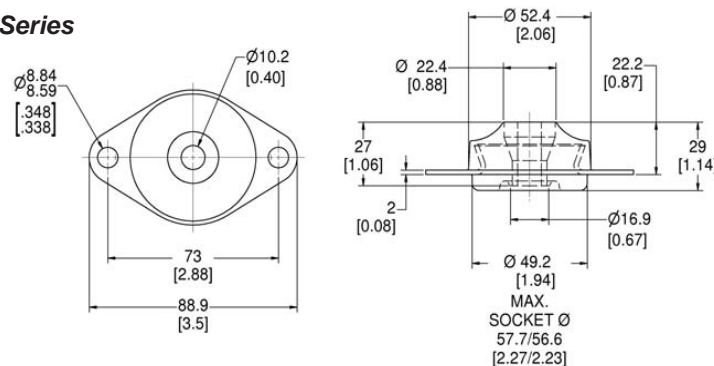


Figure 6 – J-21212 Series



CONICAL MOUNTS

Offering thousands of **standard** industrial rubber products and **innovative** "low" and "high" tech **custom** elastomeric products.

VIBRATION, SHOCK & MOTION CONTROL

RUBBER PARTS CATALOG[®].com

Manufacturing

Distribution

Vibration Mounts

Grommets

Bumpers

Gaskets

Bushings

Stock & Custom Parts

Molded & Extruded

Military Grommets

End Caps

Adhesive Backed Bumpers

Lab Stoppers

Tips & Caps

Cord Stock

Suction Cups

Rubber Washer

O-Rings

Sheet, Sponge & Matting

Custom Fabrication

Blanket Service

Inventory Management & Releases

DELTAFLEX[™].com



Headquarters
1515 16th Street
Racine, WI 53403

Phone 262.632.2345
Customer Service 800.657.0747
Fax 262.632.0271

A parts listing in this catalog does not guarantee its availability. To download the most current version to go to RubberPartsCatalog.com

Values stated herein represent typical values as not all tests are run on each lot of material produced. For formalized product specifications or specific products end uses, contact **Engineering @ 800.657.0747**.

Information provided herein is based upon tests believed to be reliable. In as much as DELTAFLEX and/or LORD Corporation has no control over the manner in which others may use this information, it does not guarantee the results to be obtained. In addition, DELTAFLEX and/or LORD Corporation does not guarantee the performance of the product or the results obtained from the use of the product or this information where the product has been repacked by any third party, including but not limited to any product end-user. Nor does the company make any express or implied warranty of merchantability or fitness for a particular purpose concerning the effects or results of such use.

Flex-Bolt and "Ask Us How" are trademarks of LORD corporation or one of its subsidiaries
DeltaFlex, the df triangle, RubberPartsCatalog and its logos are registered trademarks of Delta Flexible Products, Inc.